



**Wrap/Unwrap Tools, Bits, Stripping Tools**

**Wire-Wrap<sup>®</sup>**

Discontinuation of all products  
effective as from 30.06.2010

# Content

**Wrap/Unwrap Tools** 229 – 230

**Bits, Sleeves** 231 – 233

**Accessories** 234

**Stripping Tools** 235

**Spare Parts** 236

**Index** 264

# Wrap/Unwrap Tools

## Electronic Powered Tools for Wire-Wrap Applications – clockwise rotation

14YB3



Order No.	Model	Description
0090293153	14YB3-230/A	<b>Heavy duty electrical Wire-Wrap tool</b> Wire-Wrap tool, AWG 30–18, Conductor-Diameter 0,25–1,0 mm
0090293178	14YB3-230/C	Wire-Wrap tool, AWG 30–22, Conductor-Diameter 0,25–0,6 mm

14R3G



### Accessory

Model/Order No.	Description
990650WW	Charging unit without transformer

14HP1C



### Hand Squeezed Tools

Order No.	Model	Description
28000AC1	14HP1C	Wire-Wrap tool, clockwise rotation, AWG 30–22, Conductor-Diameter 0,25–0,65 mm
28010AB2	14HP1CLU	Wire-Wrap tool, counter clockwise rotation, AWG 30–22, Conductor-Diameter 0,25–0,65 mm

# Wrap/Unwrap Hand Tools

## Manual Wrapping Tools



Model/Order No.	Description
<b>WRAP3F30</b>	Universal Manual Wrapping Tool, AWG 30, Terminal 0,95 x 0,95
<b>WRAPECOMAXI</b>	Manual Wrapping Tool, AWG 20, Terminal max. 1,34 x 1,34
<b>WRAPECOMIDI</b>	Manual Wrapping Tool, AWG 26-22, Terminal max. 1,34 x 1,34
<b>WRAPECOMINI</b>	Manual Wrapping Tool, AWG 30-24, Terminal max. 0,95 x 0,95

## Manual Unwrapping Tools counter clockwise



Model/Order No.	Description
<b>509436</b>	Unwrap tool, AWG 32-26, Terminal 0,5 x 0,5
<b>505084</b>	Unwrap tool, AWG 32-26, Terminal 0,6 x 0,6
<b>509489</b>	Unwrap tool, AWG 30-24, Terminal 0,56 x 0,91
<b>504769</b>	Unwrap tool, AWG 26-20, Terminal 1,0 x 1,0 / 0,91 x 1,22
<b>515716</b>	Unwrap tool, AWG 26-20, Terminal 0,8 x 1,4 / 0,8 x 1,6

## Manual Unwrapping Tools clockwise/counter clockwise

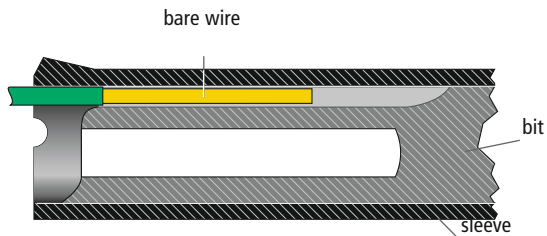


Model/Order No.	Description
<b>505244</b>	Unwrap tool, AWG 32-26, Terminal 0,6 x 0,6
<b>A26664</b>	Unwrap tool, AWG 26-20, Terminal 1,0 x 1,0 / 0,91 x 1,22 / 0,8 x 1,4 / 0,8 x 1,6
<b>500130</b>	Unwrap tool, AWG 24-18, Terminal 1,14 x 1,14

## Unwrapping bit-sleeves assemblies clockwise rotation

Model/Order No.	Description
<b>990420</b>	Unwrap bit-sleeve assembly, AWG 30-36, outside diameter of bit 2,36 mm
<b>990421</b>	Unwrap bit-sleeve assembly, AWG 26-22, outside diameter of bit 3,18 mm

# Bits for Standard and Modified Connections

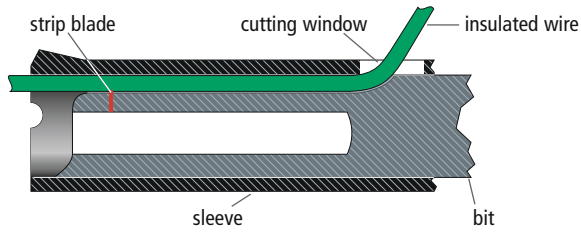


• For selection of bits and sleeves please use our Wire-Wrap catalogue

## Bits

Model/Order No.	Description	AWG	Terminal diagonal
26263	Wrap bit modified	24	1,37 x 1,86
26495	Wrap bit modified	20	1,07 x 1,86
501097	Wrap bit modified	30	0,67 x 0,77
502118	Wrap bit modified	26	1,35 x 1,76
502134	Wrap bit standard	24	0,61 x 1,10
504155	Wrap bit standard	24	1,25 x 1,74
504222	Wrap bit standard	18	1,55 x 1,86
504908	Wrap bit modified	18	1,55 x 1,86
504939	Wrap bit modified	22	1,25 x 1,86
505413	Wrap bit standard	22	1,25 x 1,86
505415	Wrap bit modified	24	0,61 x 1,10
506445	Wrap bit modified	26	0,59 x 0,98
506781	Wrap bit modified	26	1,60 x 1,86
506991	Wrap bit modified	24	1,19 x 1,69
507063	Wrap bit modified	30	0,78 x 0,87
507356	Wrap bit standard	20	1,07 x 1,68
507573	Wrap bit modified	30	0,84 x 0,92
508105	Wrap bit modified	30	1,35 x 1,45
509278	Wrap bit modified	28	0,78 x 0,87
509405	Wrap bit modified	26	0,87 x 1,28
511439	Wrap bit modified	26	1,22 x 1,42
512058	Wrap bit standard	24	1,38 x 1,88
519070	Wrap bit modified	24/26	1,37 x 1,88
519936	Wrap bit modified	30	0,79 x 0,95

# CSW Bits

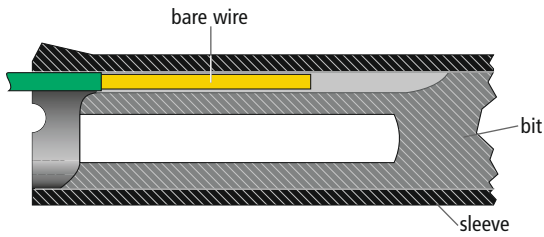


- Use our Wire-Wrap catalogue to select the bits and sleeves

## Bits

Model/Order No.	Description	AWG	Terminal diagonal
518910	CSW Wrap Bit	24	1,50 x 1,83
518931	CSW Wrap Bit	24-22	1,75 x 1,83
519066	CSW Wrap Bit	24	1,50 x 1,83
519926	CSW Wrap Bit	26	1,37 x 1,47
519928	CSW Wrap Bit	24	1,37 x 1,47
521105	CSW Wrap Bit	26	1,37 x 1,47
522202	CSW Wrap Bit	26	1,50 x 1,83
522203	CSW Wrap Bit	26	1,50 x 1,60
522211	CSW Wrap Bit	22	1,50 x 1,60
527812	CSW Wrap Bit	26	0,76 x 0,86
990561	CSW Wrap Bit	24	1,37 x 1,47
990563	CSW Wrap Bit	22	1,37 x 1,47
990579	CSW Wrap Bit	24	1,37 x 1,47
990646	CSW Wrap Bit	22	1,37 x 1,47
990681	CSW Wrap Bit	26	1,37 x 1,47
990753	CSW Wrap Bit	24	1,37 x 1,47
990764	CSW Wrap Bit	30	0,76 x 0,86
990846	CSW Wrap Bit	26	1,37 x 1,44
990995	CSW Wrap Bit	26	0,76 x 0,86
990996	CSW Wrap Bit	26-24	1,37 x 1,47
990063WW	CSW Wrap Bit	30	0,76 x 0,86

# Sleeves



- Use our Wire-Wrap catalogue to select the bits and sleeves

## Sleeves for Standard and Modified Connections

Model/Order No.	Description
18640	Wrap sleeve
18840	Wrap sleeve
26245	Wrap sleeve
502129	Wrap sleeve
506999	Wrap sleeve
507100	Wrap sleeve
512056	Wrap sleeve
517228	Wrap sleeve

## Sleeves CSW for Modified Connections

Model/Order No.	Description
518911	Cut-Strip-Wrap Sleeve
518932	Cut-Strip-Wrap Sleeve
519067	Cut-Strip-Wrap Sleeve
519927	Cut-Strip-Wrap Sleeve
519929	Cut-Strip-Wrap Sleeve
521116	Cut-Strip-Wrap Sleeve
522201	Cut-Strip-Wrap Sleeve
522204	Cut-Strip-Wrap Sleeve
522212	Cut-Strip-Wrap Sleeve
527813	Cut-Strip-Wrap Sleeve
990435	Cut-Strip-Wrap Sleeve
990562	Cut-Strip-Wrap Sleeve
990765	Cut-Strip-Wrap Sleeve
990847	Cut-Strip-Wrap Sleeve
990064WW	Cut-Strip-Wrap Sleeve

# Accessories

## Tool Box



Model/Order No.	Description
0090000013	Tool Box empty for 14YB3 Wire-Wrap tool, dimension: 330 x 240 x 85 mm

## Strip Force Gauge



Model/Order No.	Description
0090912968	Strip Force Gauge. Spring gauge with dial, range 10 kg (N100), Scale Division 100 g/N1-370 g
0090914414	Spring Hook midi
0090914415	Spring Hook mini



# Stripping tools

## Stripping tools

- Special stripping tools made of high grade tool steel
- Anti-glare finish
- High precision and EGB-safe
- For strip Wire-Wrap wires

### Front Stripping – high grade tool steel, ESD safe

Model/Order No.	Description
510AE	Front stripping tool, adjustable AWG 30–18 (0,25–1,02 mm), 120 mm, 75 g



552E	Front stripping tool, high precision, adjustable AWG 42–24 (0,06–0,60 mm), 120 mm, 80 g
------	---



### Side Stripping – high grade tool steel, ESD safe

Model/Order No.	Description
552S	Side stripping tool, high precision, adjustable AWG 42–24 (0,06–0,60 mm), 120 mm, 80 g



# Spare Parts

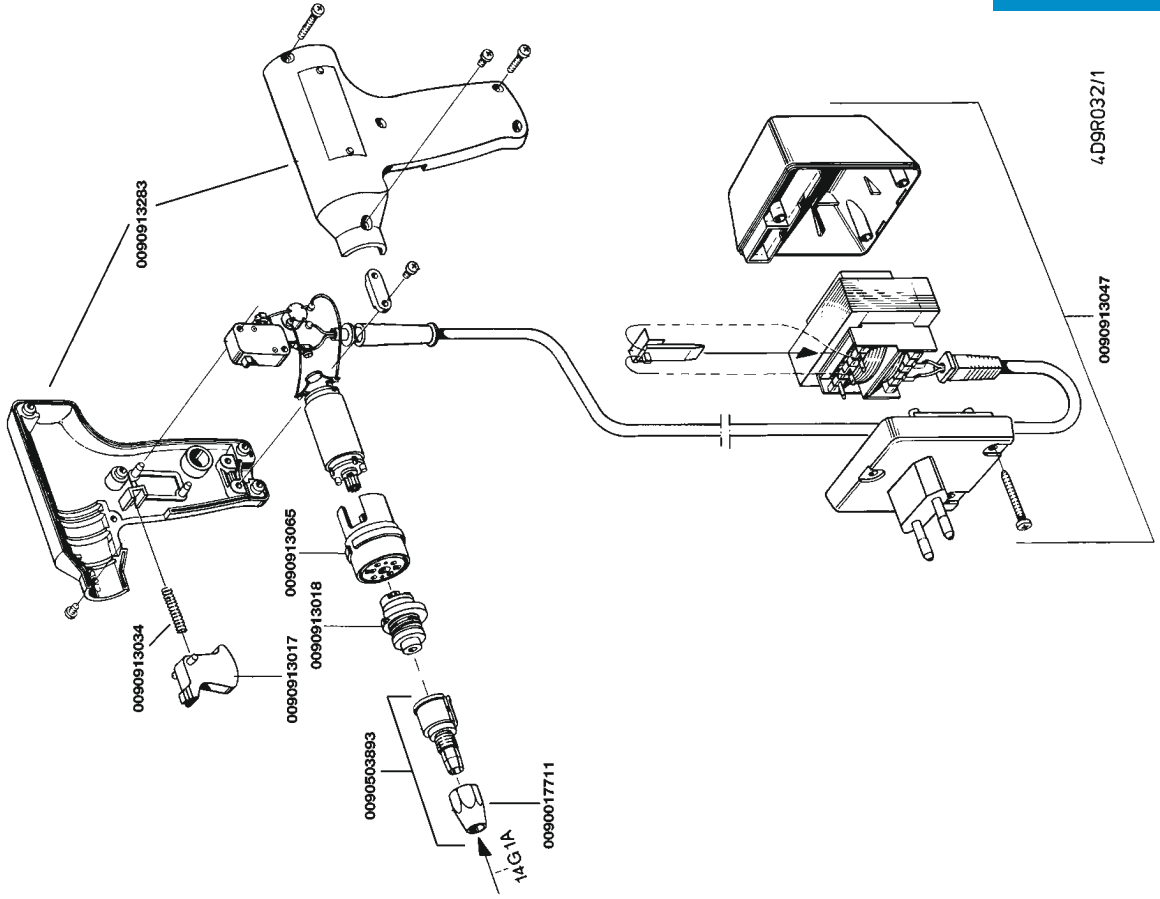
Model/Order No.	Description
508814	PLATE END, (1/PK)
508815	GEAR RING (1/PK)
508819	BALL BEARING (1/PK)
508826WW	SPRING COMPR (1/PK)
509318	WASHER SPRING (1/PK)
533273	BLOCK CLUTCH (1/PK)
6957	1 1/2" REFLECTOR Bagged
6958	REDUCER Bagged
6964	REFLECTOR FLUX / PRECISION
990156WW	DRIVE GEAR
990161WW	TRIGGER
990274	INDEX BLOCK
990275	ADJUSTING NUT
990342	30 GA BLADE (B)
990343	30 GA BLADE (A)
990356WW	COLLET ASSY
990655	BATTERY ASSEMBLY
994	HANDLE, TEE, BLACK

---

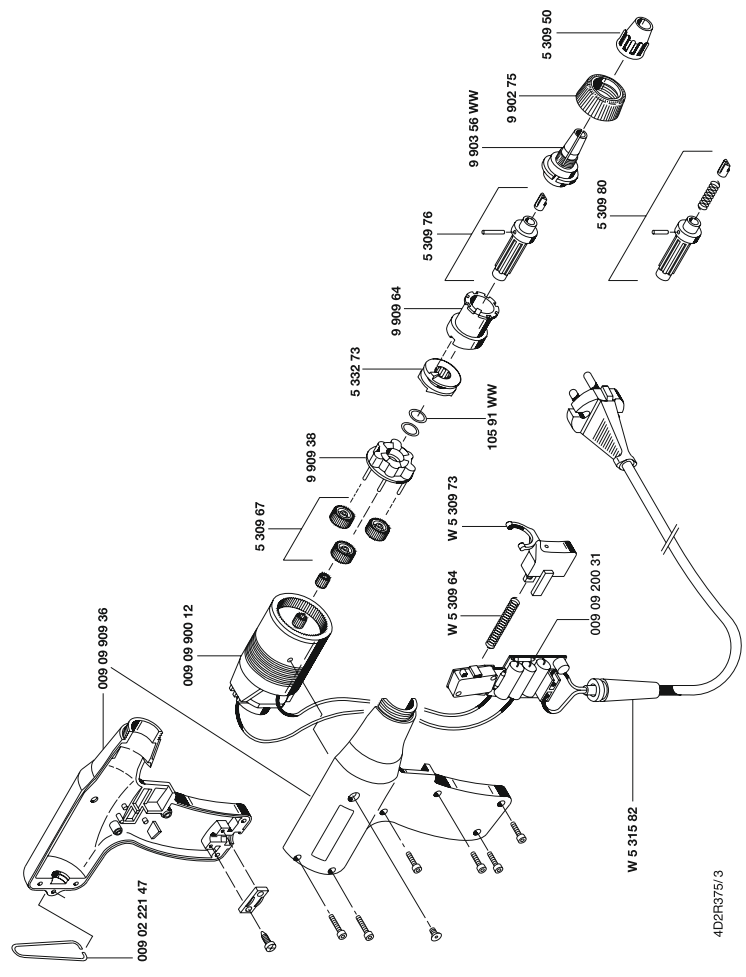
# Index Spare Parts

Model	Page
14G1.....	237
14YB3.....	237

# 14G1



# 14YB3



# Notes

